

ADL10-E



General

ADL10-E single phase electric meter is designed for single phase energy measurement on low voltage system. The meter meet the related technical requirements of electronic meter in the IEC62053-21、IEC62053-22 standards.

Product Functions

Function	Description	Provide
Measurement of kWh	Single-phase active energy (positive and negative)	■
Measurement of electrical parameters	U、I、P、Q、S、PF、Hz	■
LCD Display	8 digits	■
Communication	RS485, MODBUS-RTU	□C

Note:(■: standard; □: optional)

Technical Parameter

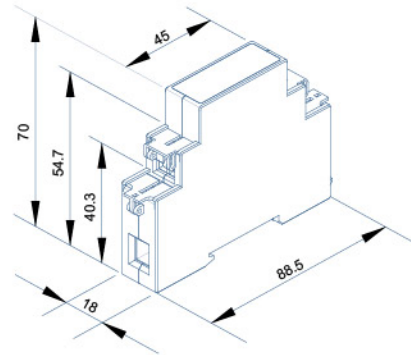
■ Electric performance

Voltage	Reference voltage	220V
	Reference frequency	50Hz
	Consumption	<10VA (Single phase)
Current	Maximum current	60A
	Starting current	0.004Ib
	Consumption	<4VA (Maximum current)
Measurement performance	Standards compliant	IEC 62053-21:2003
	Accuracy of Active kWh	Class 1

■ Working environment

Temperature	Operating	-25℃~55℃
	Storage	-40℃~70℃
Humidity	≤95%(No condensation)	
Altitude	<2000m	

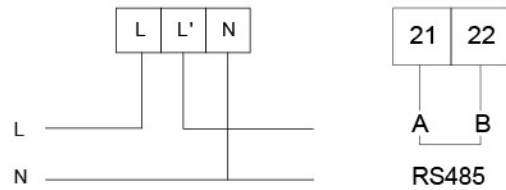
Dimension drawings (Unit: mm)



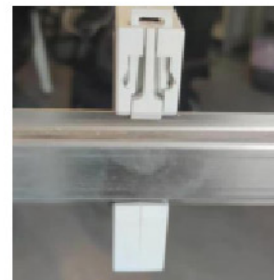
Note: The torque should not be greater than 4.0 N·m

Wiring and installing

■ Wiring



■ Installing



ADL10-E installing

Note: DIN 35 mm rail installation.

Display examples

The meter shows total energy first while turning on and then shows voltage, current and power, etc. in turn. The example shows as following:



Energy

U 220.0^v

Voltage

I 10.00^A

Current

P 02.20^{kW}

Power

PF 1.00

Power factor

EwEn9600

Even test, baud rate 9600

Addr 001

Address

dd5w 1.00

Firmware Version